

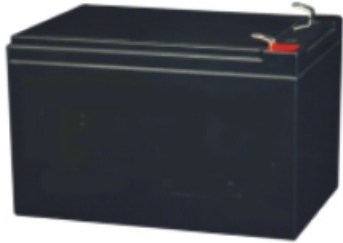
SLA BATTERY

BT 14-12 HC

12V14 AH

HC SERIES

IBT HC Series batteries are designed for deep discharge application, with special chemical formula for plates active paste material, slightly stronger electrolyte and low temperature design, which can withstand repeated deep cyclic application, such as Solar Energy System, Golf Trolley, Electric vehicle, etc.



Application

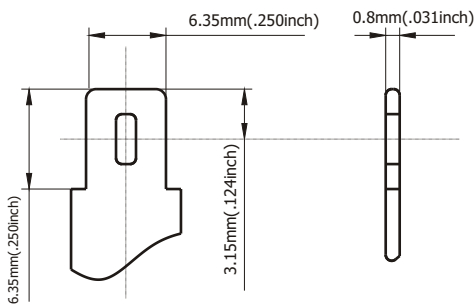
- Solar Energy System
- Golf Cars and Buggies
- Electric Powered Vehicles
- Wheel Chairs
- Power Tools
- Electric Powered Toys
- Control System
- Vacuum Cleaners
- Medical Equipments
- UPS

General Features

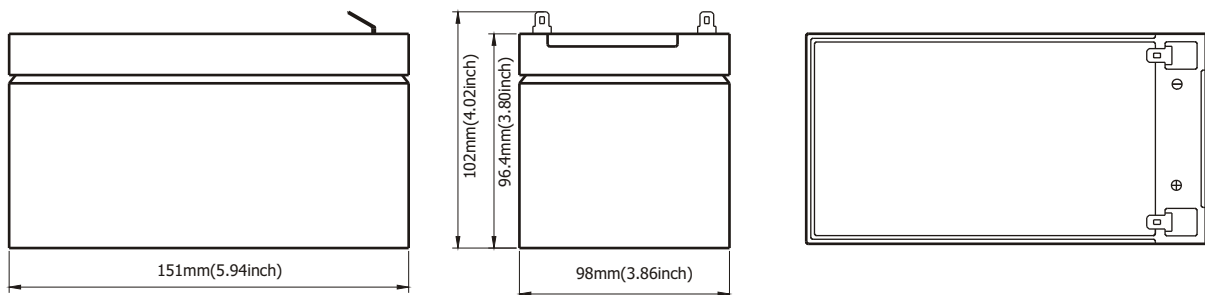
- Sealed and maintenance free operation.
- Non-Spillable construction design.
- ABS containers and covers(UL94HB, UL94V-0) optional.
- Safety valve installation for explosion proof.
- High quality and high reliability.
- Exceptional deep discharge recovery performance.
- Low self discharge characteristic.
- Flexibility design for multiple install positions.

Construction

- ComponentRaw material
- PositiveLead dioxide
- NegativeLead
- ContainerABS
- CoverABS
- SealantEpoxy Resin
- Safety valveEPDR
- TerminalCopper
- SeparatorFibre glass
- ElectrolyteSulfuric acid



Terminal Dimensions

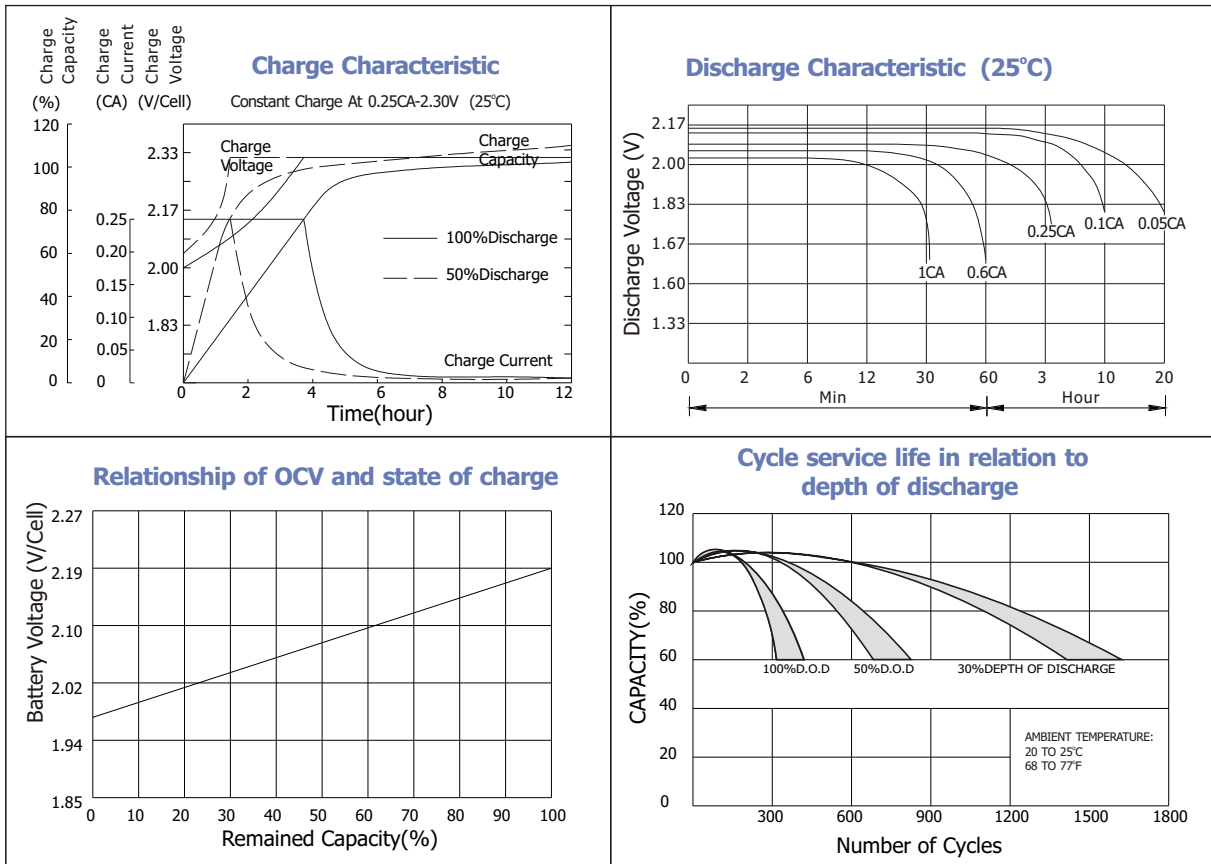


Battery Model	BT 14-12HC			
Designed Cycle Life	3 Years or > 350 cycles @ -0.5CA to 4.8V			
Capacity(25°C)	20HR(0.7A,1.75V)	10HR(1.3A,1.75V)	5HR(2.3A,1.75V)	1HR(8.3A,1.75V)
	14AH	13AH	11.5AH	8.3AH
Dimensions	Length	Width	Height	Total Height
	151mm(5.94inch)	98mm(3.86inch)	96.4mm(3.80inch)	102mm(4.02inch)
Approx. Weight	4.3Kg (9.48 lbs)			
Internal Resistance	Full charged at 25°C: 0.016 Ohm			
Self Discharge	3% of capacity declined per month at (25°C)			
Capacity Affected by Temp.(20HR)	40°C	25°C	0°C	-15°C
	102%	100%	85%	65%
Charge Voltage(25°C)	Cycle use		Float use	
	14.4-15V(-30mV/ °C), max. Current: 3.8A		13.6-13.8V(-20mV/ °C)	

SLA BATTERY

BT 14-12 HC

12V14 AH



Constant current discharge ratings-amperes at 25°C

F. V/Time	5MIN	10MIN	15MIN	30MIN	1HR	3HR	5HR	10HR	20HR
1.60V	68.5	42.6	32.2	19.6	9.24	4.06	2.48	1.35	0.74
1.67V	64.3	40.5	30.9	18.8	9.12	3.90	2.43	1.34	0.71
1.70V	59.0	39.0	30.2	17.1	8.84	3.64	2.37	1.33	0.70
1.75V	57.8	37.8	29.2	16.2	8.42	3.52	2.32	1.33	0.69
1.80V	51.7	36.1	26.6	15.0	7.89	3.38	2.18	1.30	0.67
1.85V	45.6	34.4	23.9	13.8	7.35	3.26	2.05	1.28	0.65

Constant power discharge ratings-watts at 25°C

F. V/Time	5MIN	10MIN	15MIN	30MIN	1HR	3HR	5HR	10HR	20HR
1.60V	120	77.0	58.7	35.3	16.7	7.19	4.19	2.77	1.47
1.67V	116	75.1	58.0	34.6	16.6	6.97	4.17	2.76	1.41
1.70V	109	74.3	57.5	32.4	16.3	6.66	4.12	2.74	1.40
1.75V	110	74.1	57.0	31.4	16.0	6.50	4.08	2.70	1.36
1.80V	101	73.0	52.9	30.0	15.1	6.31	3.95	2.67	1.33
1.85V	91.2	69.2	48.0	28.1	14.2	6.12	3.83	2.63	1.28

